



## **Description**

1. The ball valve full bore little flow resistance.
2. Simple structure, small size and light weight.
3. Two sealing surface, can be completely sealed.  
In a vacuum system has also been widely used.
4. Easy to operate, opening and closing rapidly,  
from fully open to fully closed as long as the  
rotation 90°, to facilitate remote control.
5. Easy maintenance, seals are generally activities,  
the removal replacement is more convenient.
6. In the fully open or fully closed, the ball and  
seat sealing surface and the dielectric isolation,  
the medium through, will not cause erosion of the  
valve sealing surface.
7. Easy to Automate.

## **Selection of possible applications**

Soap, Irrigation, Effluent, Light Oils, Solids Handling,  
Agriculture, Filtration, Light Slurries, Sump Drain Off,  
Air Pollution, Fine Chemicals, Low Pressure Safety Injection,  
Synthetic Fuels, Aromatics, Fuel, Low Shear Services,  
Tank Farm Transfer, CO2 Injection, General Processing Industry,  
Metal and Steel Industry, Toxic Services, Car Wash, General  
Purpose, Mineral Processing, Utility, Chemical Processing,  
Greases and Fats, Mining, Valuable Liquids, Commercial,  
Heat Exchangers, Municipal, Waste Processing, Condensate, etc.

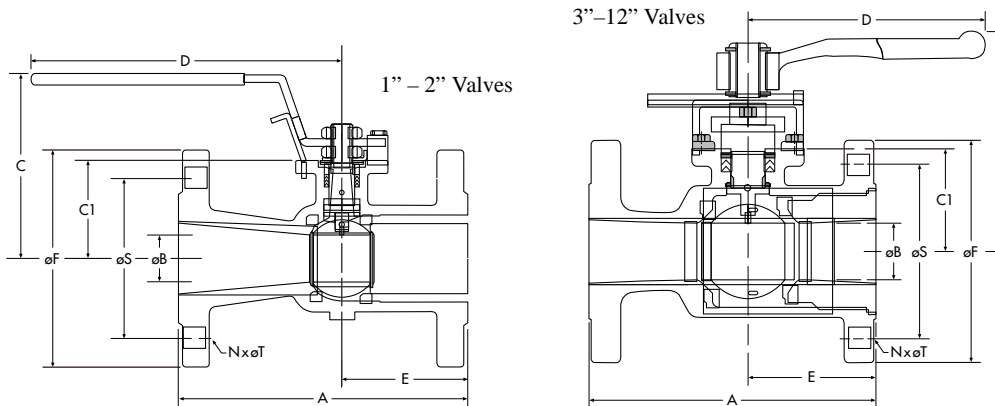
## **Selection of possible flow media**

Steam, air, water, oil, other fluid, etc.

## MODEL BR15 Class 150

### Dimensions and Weights

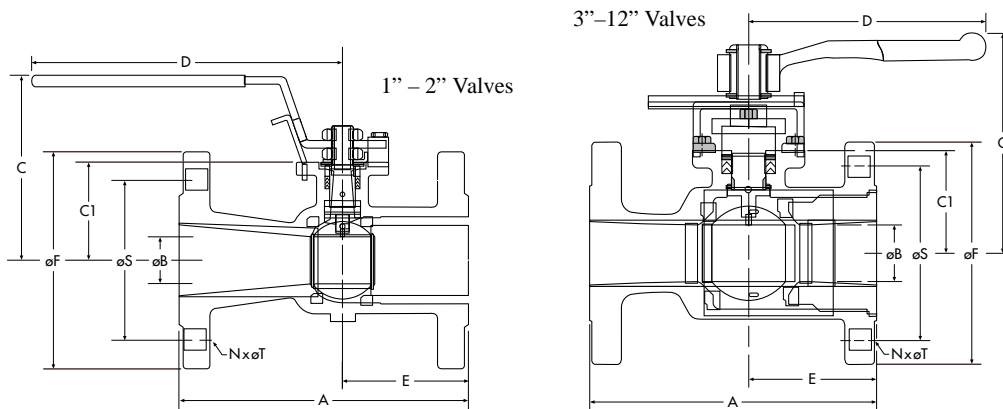
Size Ins mm	A	ΦB	C	C1	D	E	ΦF	N	ΦS	ΦT	Cy	Torque Lbs-in Nm	Weight Lbs kg
1	5.00	0.79	2.91	1.67	6.50	2.00	4.25	4	3.12	0.63	32	65	6
25	1.27	20.07	73.91	42.42	165.1	50.8	107.95	4	79.25	16.00	32	7.34	2.72
1½	6.50	1.26	3.62	2.20	7.87	2.17	5.00	4	3.88	0.63	82	155	11
40	165.1	32.00	91.95	55.88	199.90	55.12	127	4	98.55	16.00	82	17.51	5.00
2	7.00	1.50	4.20	2.61	10.43	2.56	6.00	4	4.75	0.75	120	230	18
50	177.8	38.1	106.68	66.29	264.92	65.02	152.4	4	120.65	19.05	120	26.00	8.17
3	8.00	2.56	5.98	3.09	15.35	3.27	7.50	4	6.00	0.75	350	390	39
80	203.2	65.02	151.89	78.49	389.89	83.06	190.5	4	152.4	19.05	350	44.07	17.71
4	9.00	3.00	6.53	3.66	15.35	3.86	9.00	8	7.50	0.75	720	650	54
100	228.6	76.2	165.86	92.96	389.89	98.04	228.6	8	190.5	19.05	720	73.45	24.52
6	10.50	4.00	7.20	4.33	15.35	4.61	11.00	8	9.50	0.87	1020	1505	90
150	266.7	101.6	182.88	109.98	389.89	117.09	279.4	8	241.3	22.10	1020	170.05	40.86
8	11.50	6.00	10.83	6.85	38.98	5.85	13.50	8	11.75	0.87	1880	3225	170
200	292.1	152.4	275.88	173.99	990.09	148.59	342.9	8	298.45	22.10	1880	364.41	77.18
10	13.00	7.87	11.61	7.62	38.98	6.85	16.00	12	14.25	1.00	4000	4750	350
250	330.2	199.90	294.89	193.55	990.09	173.99	406.4	12	361.95	25.4	4000	536.72	158.9
12	14.00	9.53	12.76	8.92	38.98	7.00	19.00	12	17.00	1.00	7700	13700	350
300	355.6	242.06	324.10	226.57	990.09	177.8	482.6	12	431.8	25.4	7700	1548.02	158.9



## MODEL BR30 Class 300

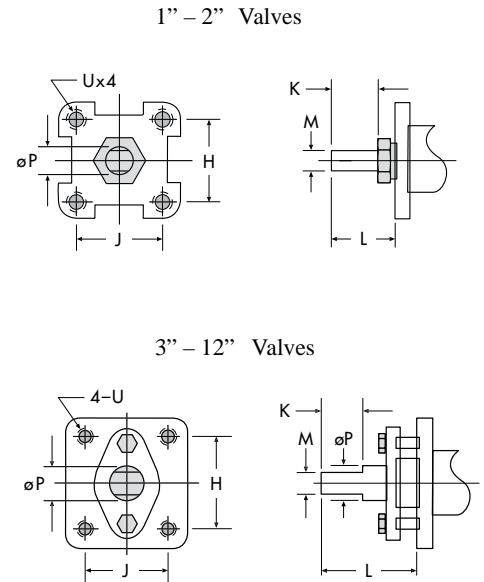
### Dimensions and Weights

Size Ins mm	A	ΦB	C	C1	D	E	ΦF	N	ΦS	ΦT	Cy	Torque Lbs-in Nm	Weight Lbs kg
1	650	0.79	2.98	1.67	6.34	2.18	4.88	4	3.50	0.63	32	70	85
25	165.1	2007	75.69	42.42	161.04	55.37	123.95	4	88.9	16.00	32	7.90	3.85
1½	748	1.26	3.65	2.20	7.72	2.60	6.14	4	4.51	0.63	82	175	17
40	1900	3200	92.71	55.88	192.09	66.04	155.96	4	144.55	16.00	82	19.77	7.72
2	850	1.50	4.17	2.61	9.69	2.92	6.50	4	5.00	0.75	120	270	24
50	2159	38.1	105.92	66.29	246.13	74.17	165.1	4	127	19.05	120	30.50	10.9
3	11.14	2.50	5.98	3.09	15.35	3.75	8.28	4	5.00	0.75	350	600	55
80	283	63.5	151.89	78.49	389.89	95.25	210.30	4	127	19.05	350	67.80	24.9
4	1200	3.00	6.53	3.66	15.35	3.86	10.00	8	6.18	0.75	720	850	74
100	304.8	76.2	165.86	92.96	389.89	98.04	254.00	8	156.95	19.05	720	960	33.60
6	1588	4.00	7.20	4.33	15.35	4.61	12.50	8	8.50	0.87	1020	2600	132
150	403.35	101.6	183.34	109.98	389.89	117.09	318.00	8	215.9	22.10	1020	293.7	60
8	1650	6.00	11.22	6.85	38.98	5.85	15.00	8	13	0.87	1880	5300	300
200	419.1	152.4	284.99	173.99	990.09	148.59	381.0	8	330	22.10	1880	598.85	136.2
10	1800	7.87	12.72	7.62	38.98	6.85	17.50	12	15.25	1.00	4000	7600	460
250	457.2	200.00	323.09	193.55	990.09	173.99	444.5	12	387.35	25.4	4000	858.76	208.8
12	1975	9.53	13.70	8.92	38.98	7.00	20.50	12	17.75	1.00	7700	17800	800
300	501.65	242.06	347.98	226.57	990.09	177.8	520.7	12	450.85	25.4	7700	2011.30	363.6



**SECURE MOUNT**

Size Ins mm	H	J	F0	BC DIA.	K	L	M	ΦP	U UNC
1 25	1.17 29.72	1.17 29.72	F04	1.65 41.9	0.31 7.87	0.55 13.97	0.25 6.35	0.37 9.40	#10-24
1½ 40	1.39 35.3	1.39 35.3	F05	1.97 50.0	0.43 10.92	0.75 19.05	0.31 7.87	0.43 10.92	1/4-20
2 50	1.95 49.5	1.95 49.5	F07	2.76 70.10	0.55 13.97	0.91 23.11	0.37 9.4	0.62 15.75	5/16-18
3 80	3.54 89.9	1.87 47.5	-	-	1.75 44.15	2.97 75.44	0.67 17.02	1.10 27.94	1/2-1 3
4 100	3.54 89.9	1.87 47.5	-	-	1.75 44.15	2.97 75.44	0.67 17.02	1.10 27.94	1/2-13
6 150	3.54 89.9	1.87 47.5	-	-	1.75 44.45	3.07 78	0.67 17.02	1.71 43.42	1/2-13
8 200	3.37 85.6	3.37 85.6	-	4.77 121.16	1.61 40.89	3.42 86.87	1.02 25.91	1.71 43.42	1/2-13
10 250	3.37 85.6	3.37 85.6	-	4.77 121.16	2.13 54.10	3.86 98.04	1.02 25.91	1.71 43.42	5/8-1 1
12 300	4.53 115	4.53 115	-	6.4 162.56	2.16 54.86	3.74 95	1.38 35.05	1.97 50.0	#10-24



**Size and connections**

DN25-300 EN 1092PN16, PN25,PN40:

Flanged End Connections meet ASME Class 150/300.

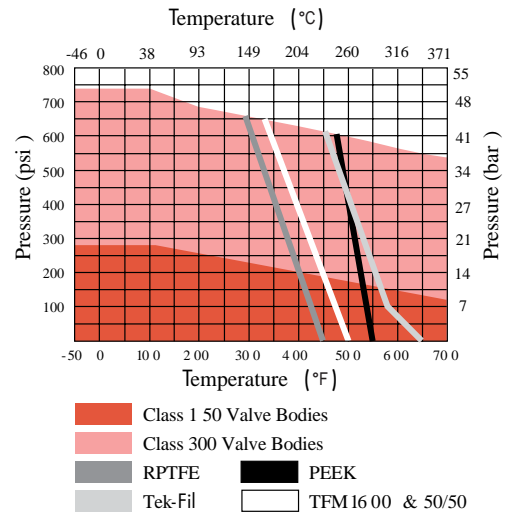
Flanges meet ASME B16.5.

Face to Face Dimensions meet ASME B16.10 short pattern.

All valves meet ASME B16.34, MSS-SP-7 and API 608.

Fire Safe Valves with graphite Stem Packing are certified to API 607 4th Edition.

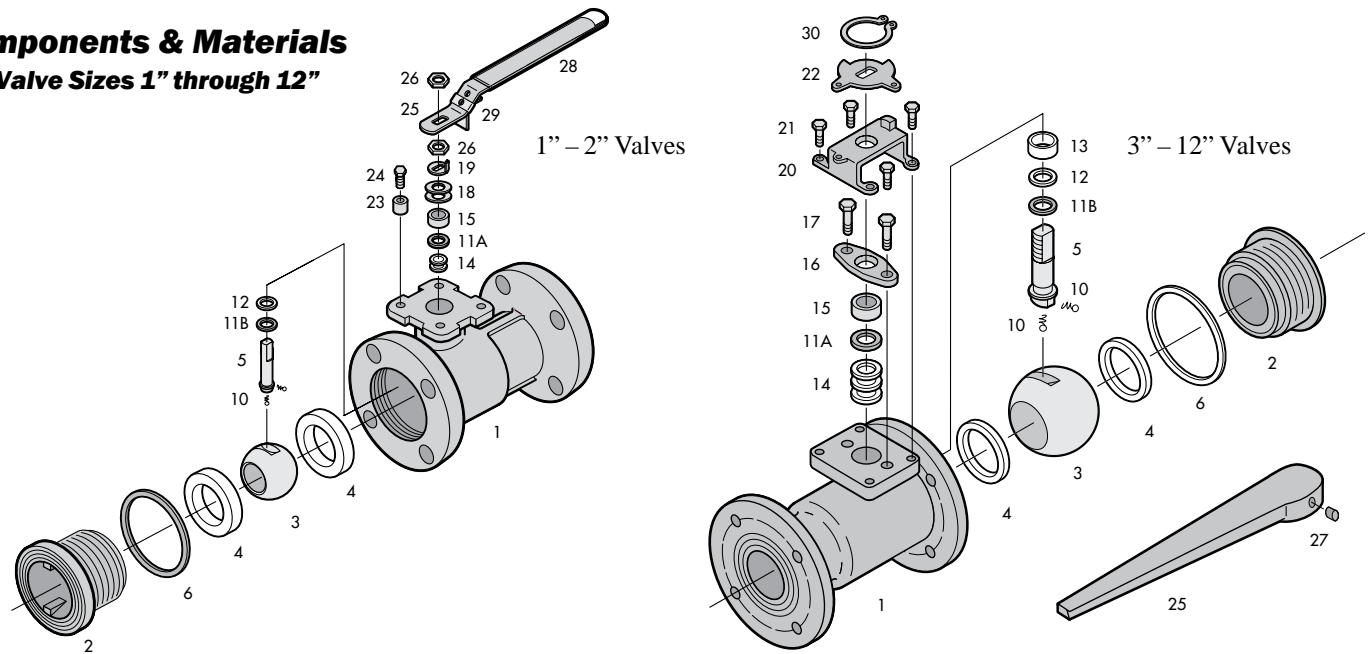
**Temperature and Pressure limits**



Note: Carbon Steel valves limited to -20°F.

## Components & Materials

For Valve Sizes 1" through 12"



Item	Name	Stainless Steel	Carbon Steel	Qty.
1	Body	ASTM A351 Gr CF8M	ASTM A216 Gr WCB	1
2	End Cap	ASTM A351 Gr CF8M	ASTM A216 Gr WCB	1
3	Ball	ASTM A351 Gr CF8M	ASTM A351 Gr CF8M	1
4	Seat	TFM 1600	TFM 1600	2
5	Stem	ASTM A479 Gr 316	ASTM A479 Gr 316	1
6	Body Seal	RPTFE	RPTFE	1
10	Anti-Static Device	SS316	SS316	2
11A	Packing Protector	PEEK	PEEK	1
11B	Thrust Washer Protector	PEEK	PEEK	1
12	Thrust Washer	50% SS316 + 50% PTFE	50% SS316 + 50% PTFE	1
13	Stem Bearing	15% RPTFE	15% RPTFE	1
14	Stem Packing	RPTFE/Graphite	RPTFE/Graphite	3/1
15	Packing Gland Sleeve	SS304	Carbon Steel <sup>1</sup>	1
16	Packing Gland Plate	ASTM A351 Gr CF8	ASTM A216 Gr WCB	1
17	Gland Bolt	SS304	Carbon Steel	2
18	Belleville Washer	SS301	SS301	2
19	Tab Washer	SS304	SS304	1
20	Travel Stop Housing	ASTM A351 Gr CF8M	ASTM A216 Gr WCB	1
21	Housing Bolt	SS304	Carbon Steel	4
22	Travel Stop	SS304	Zinc Plated Carbon Steel	1
23	Travel Stop Set Sleeve	SS304	SS304	1
24	Travel Stop Bolt	SS304	SS304	1
25	Handle	Ductile Iron <sup>2</sup>	Ductile Iron <sup>2</sup>	1
26	Lock Nut	SS304	SS304	2
27	Handle Bolt	Carbon Steel	Carbon Steel	1
28	Handle Sleeve	Vinyl	Vinyl	1
29	Locking Device	SS304	SS304	1
30	Snap Ring	Nickel Plated Carbon Steel	Nickel Plated Carbon Steel	2